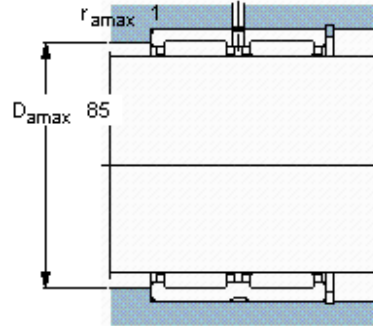
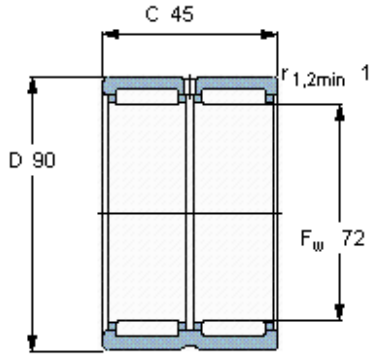


Needle roller bearings, with machined rings, with flanges, without an inner ring

Principal dimensions			Basic load ratings		Speed ratings		Designation
F _w	D	C	dynamic C	static C ₀	Reference speed	Limiting speed	
mm			kN		r/min		-
72	90	45	95,2	212	5600	6300	RNA 6913



Appropriate seals

G seal	-
SD seal	-
CR seal	72x90x10 HMS5 RG